

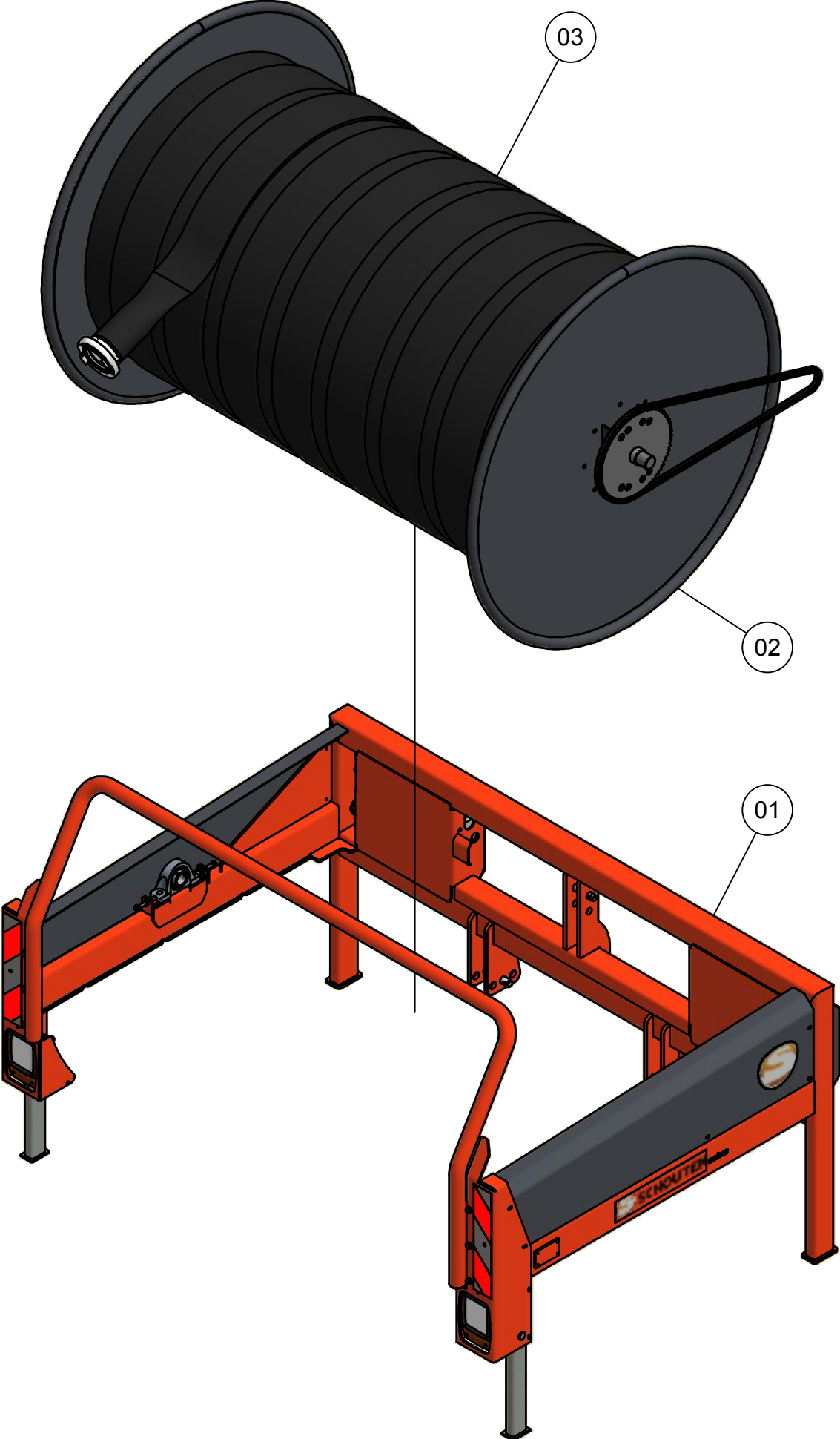
ONDERDELENBOEK

Cobra slanghaspels

H210 - H240 - H260

Serie no.: 306.0260→

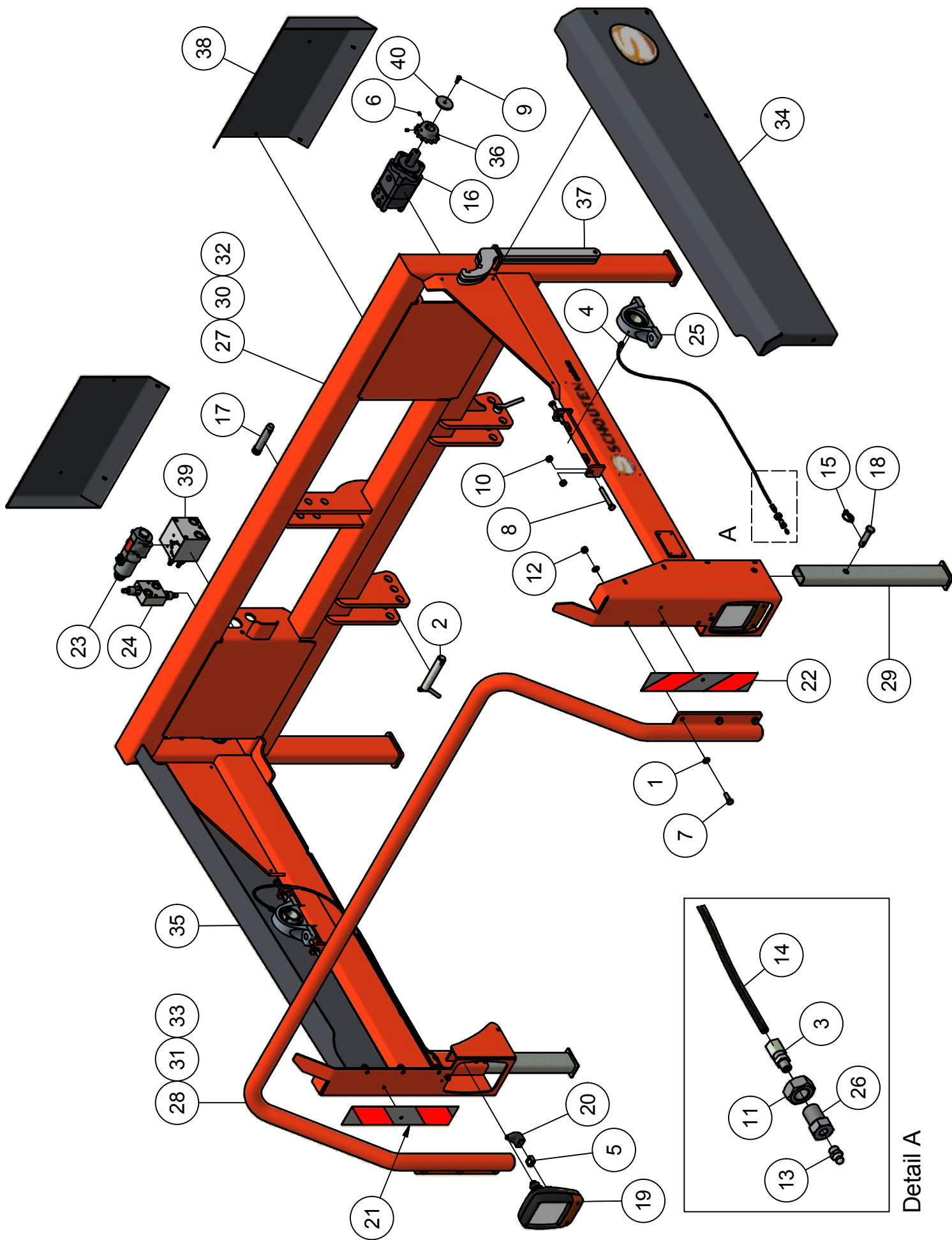




Inhoudsopgave

| | Pagina |
|--------------------------------|-----------|
| 01. Frame | 5 |
| 02. Trommel | 7 |
| 02.01. Verstelbaar tussenschot | 9 |
| 03. Slangen | 11 |

01. Frame

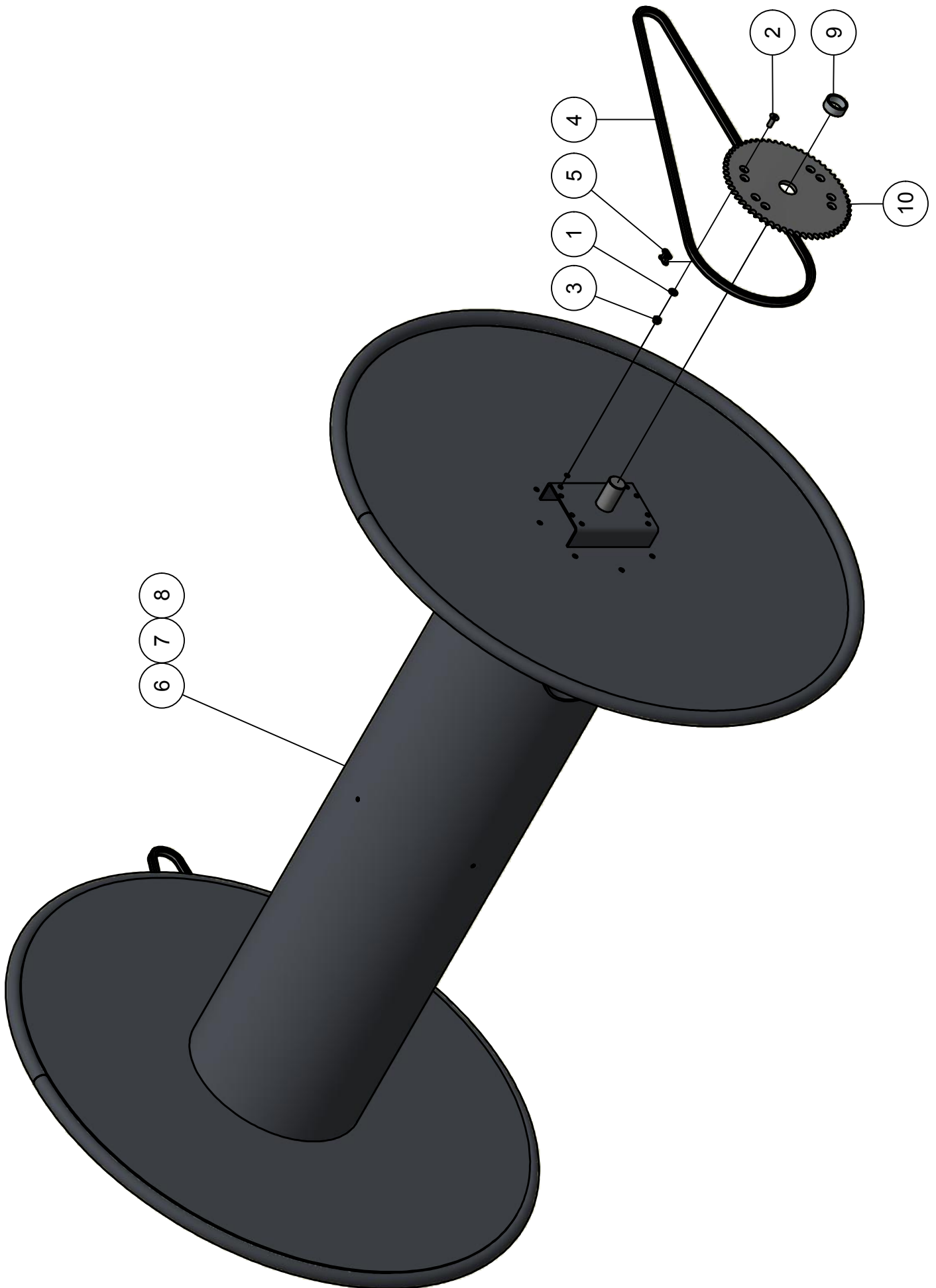


Detail A

01. Stuklijst frame

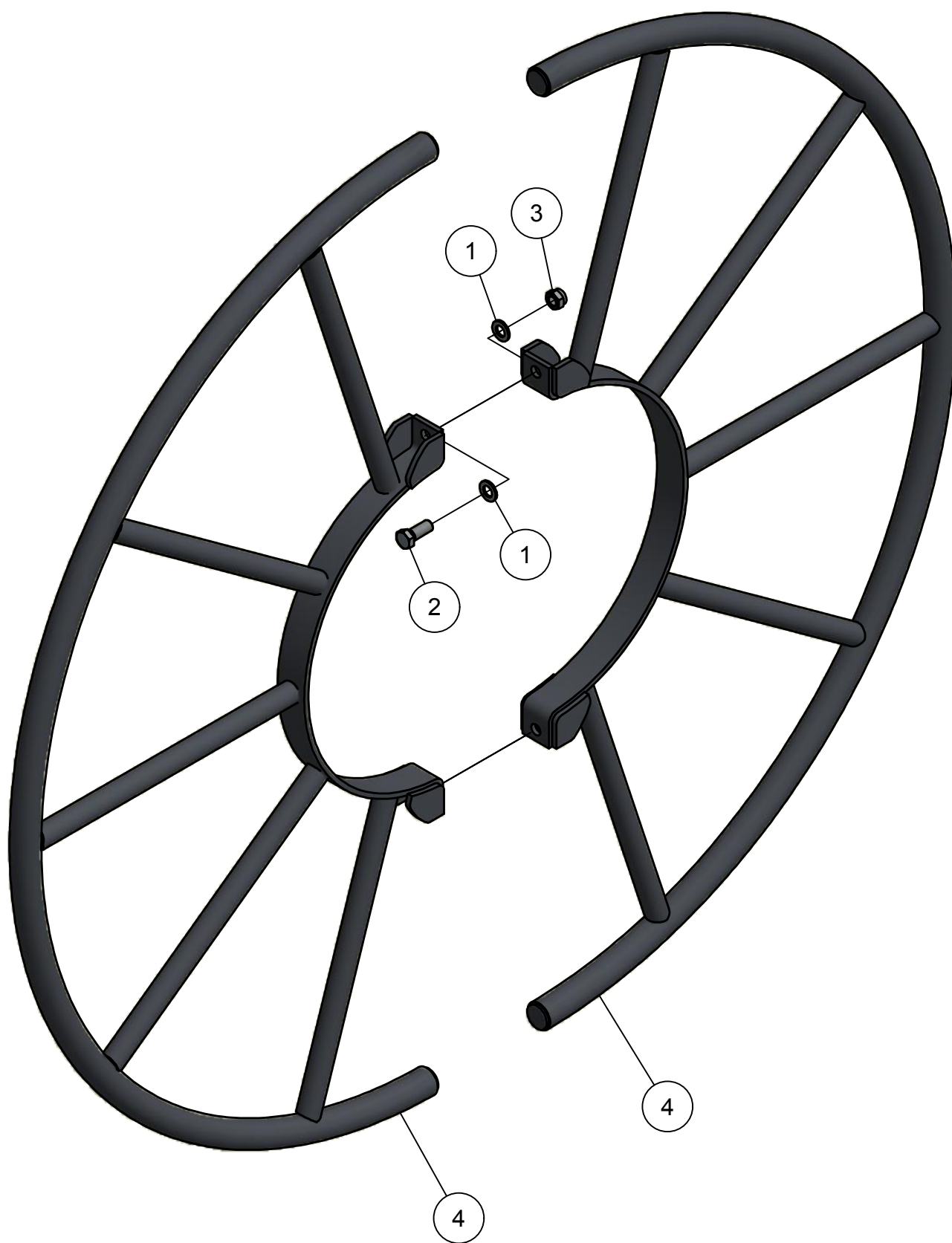
| Stukn. | Artikelnummer | Omschrijving | Aant. | Opmerking |
|--------|---------------|-------------------------------|-------|-----------------------|
| 1 | 121183 | Sluitring M12 DIN125A ELVZ | 12 | |
| 2 | 121375 | Hefpen 28mm L=151mm | 2 | |
| 3 | 121626 | Inschroefnippel M8x1 conisch | 2 | |
| 4 | 121628 | Inschroefnippel M6 conisch | 2 | |
| 5 | 122526 | Stekker 6-polig AMP | 2 | |
| 6 | 122644 | Stelschroef M8x10 DIN916 ELVZ | 4 | |
| 7 | 122768 | Bout M12x35 DIN933 ELVZ | 6 | |
| 8 | 122776 | Bout M12x90 DIN933 ELVZ | 4 | |
| 9 | 122828 | Bout M8x20 DIN933 ELVZ | 4 | |
| 10 | 122842 | Moer M12 DIN934 ELVZ | 8 | |
| 11 | 122847 | Moer M14x1,5 DIN934 ELVZ | 2 | |
| 12 | 122940 | Moer M12ZB DIN985 ELVZ | 6 | |
| 13 | 123688 | Vetnippel | 2 | |
| 14 | 123809 | Polyamide leiding vetgevuld | 1 | |
| 15 | 124100 | Borgclip 8mm | 2 | |
| 16 | 124333 | Hydromotor as 32mm | 2 | |
| 17 | 125442 | Pen ø25mm L=113 topstang | 1 | |
| 18 | 125710 | Pen ø19x76 | 2 | |
| 19 | 126199 | Koplamp opbouw | 2 | |
| 20 | 126200 | Tule haaks | 2 | |
| 21 | 126207 | Markeringssticker | 1 | |
| 22 | 126208 | Markeringssticker | 1 | |
| 23 | 126210 | Stuurschuifklep | (1) | Optie: i.c.m. 2-speed |
| 24 | 126211 | Drukregelventiel | 1 | Standaard |
| 25 | 126216 | Lagerblok 50mm | 2 | |
| 26 | 126232 | Schotkoppeling | 2 | |
| 27 | 306.01.020 | Frame H210 | (1) | |
| 28 | 306.01.021 | Beugel H210/DH210 | (1) | |
| 29 | 306.01.022 | Steunpoot L=630mm | 2 | |
| 30 | 306.01.023 | Frame H240 | (1) | |
| 31 | 306.01.024 | Beugel H240/DH240 | (1) | |
| 32 | 306.01.025 | Frame H260 | (1) | |
| 33 | 306.01.026 | Beugel H260 | (1) | |
| 34 | 306.03.020 | Afschermkap links | 1 | |
| 35 | 306.03.021 | Afschermkap rechts | 1 | |
| 36 | 306.03.026 | Tandwiel Z=14 | 2 | |
| 37 | 306.04.015 | Storz sleutel | 2 | |
| 38 | 306.05.020 | Afschermkap hydromotor | 2 | |
| 39 | 306.05.022 | Manifold 2-speed H-DH | (1) | Optie: i.c.m. 2-speed |
| 40 | 330.02.012 | Borgring ø61xø9x6mm | 2 | |

02. Trommel



02. Stuklijst trommel

| Stukn. | Artikelnummer | Omschrijving | Aant. | Opmerking |
|--------|---------------|------------------------------------|-------|-----------|
| 1 | 121183 | Sluitring M12 DIN125A ELVZ | 16 | |
| 2 | 122354 | Verzonken inbusbout M12x35 DIN7991 | 16 | |
| 3 | 122940 | Moer M12ZB DIN985 ELVZ | 16 | |
| 4 | 123928 | Ketting L=130 rollen | 2 | |
| 5 | 125268 | Verbindingschakel | 2 | |
| 6 | 306.02.010 | Trommel H210/DH210 | (1) | |
| 7 | 306.02.011 | Trommel H240/DH240 | (1) | |
| 8 | 306.02.012 | Trommel H260 | (1) | |
| 9 | 306.02.015 | Afstandsbus L=26mm | 2 | |
| 10 | 306.03.027 | Plaatwiel Z=60 | 2 | |



02.01. Stuklijst verstelbaar tussenschot

| Stukn. | Artikelnummer | Omschrijving | Aant. | Opmerking |
|--------|---------------|-----------------------------|-------|-----------|
| 1 | 121187 | Sluistring M16 DIN125A ELVZ | 4 | |
| 2 | 122793 | Bout M16x40 DIN933 ELVZ | 2 | |
| 3 | 122945 | Moer M16ZB DIN985 ELVZ | 2 | |
| 4 | 306.02.017 | Tussenschot helft | 2 | |

03. Stuklijst slangen

| Stukn. | Artikelnummer | Omschrijving | Aant. | Opmerking |
|--------|---------------|----------------------------------|-------|-----------|
| 1 | 121696 | Storz NA115 tule 4" kort | 2 | |
| 2 | 121701 | Storz NA160 tule 6" kort | 1 | |
| 3 | 121732 | Storz klemschaal driedelig 4" | 2 | |
| 4 | 121734 | Storz klemschaal driedelig 5" | 2 | |
| 5 | 121736 | Storz klemschaal driedelig 6" | 1 | |
| 6 | 121741 | Storz verloopkoppeling NA89-115 | 1 | |
| 7 | 121743 | Storz verloopkoppeling NA115-133 | 1 | |
| 8 | 121747 | Storz verloopkoppeling NA133-160 | 1 | |
| 9 | 121765 | Storz reparatiestuk kort 4" | 2 | |
| 10 | 121766 | Storz reparatiestuk kort 5" | 2 | |
| 11 | 121767 | Storz reparatiestuk kort 6" | 1 | |
| 12 | 124840 | Storz NA133 tule 5" kort | 2 | |
| 13 | 306.04.002 | Transportslang EHD 4" L=100mtr | 1 | |
| 14 | 306.04.004 | Sleepslang EHD 4" L=100mtr | 1 | |
| 15 | 306.04.005 | Sleepslang EHD 5" L=100mtr | 1 | |
| 16 | 306.04.006 | Transportslang EHD 6" L=100mtr | 1 | |
| 17 | 306.04.008 | Transportslang EHD 5" L=100mtr | 1 | |
| 18 | 306.04.015 | Storz sleutel Aluminium | 1 | |